

ZERMA

THE HOME OF SIZE REDUCTION

Shredders // **Granulators** // Pulverizers //
Accessories

GSL // GSE // GSC // GSH // **GSP** // ZHM

GSP Pipe/Profile Granulator



Rotor and stator knives are pre-set outside the machine prior to installation in a supplied fixture. This makes awkward adjustment inside the machine unnecessary.



The specially angled rotor automatically pulls the fed pipes or profiles into the cutting chamber, this design also regulates the amount of material.



The heavy duty bearings are separated from the cutting chamber to avoid lubricants entering the cutting chamber and bearing failure due to material contamination in the bearings.

GENERAL DESCRIPTION

The Pipe and Profile Granulators of the GSP series are available in rotor widths of up to 1400mm and diameters ranging from 560 to 700 mm. The completely welded heavy steel cutting chamber is angled and fitted with an extended hopper to allow easy feeding of parts. The standard V-cut creates a high quality regrind with a very low percentage of fines in the output material. Other standard features include an hydraulically opened hopper for outboard bearings reducing the risk of contamination.

APPLICATIONS

Conventional granulators have substantial problems handling long pipes and profiles. To feed large and bulky parts in most cases cavities or platforms are needed. Therefore Zerma developed the GSP range. Thanks to the almost level feeding hopper, long pieces can be fed easily. While the machine is operating there is no risk of blocking, in case of congestion no more material will be accepted by the machine until the grinding chamber is empty and the machine will accept material again, and work continues.

ADVANTAGES

- **Knives are adjusted outside of the machine**
- **Specially developed deflector wedge**
- **Wide choice of rotors**
- **Well thought out housing design**
- **Strong Welded Steel construction**
- **Oversized outboard bearings**

ENGLISH

PLASTIC SIZE REDUCTION
RUBBER SIZE REDUCTION
WOOD SIZE REDUCTION
E-WASTE SIZE REDUCTION



ZERMA

GSP PIPE/ PROFILE GRANULATOR



PLASTIC
SIZE
REDUCTION

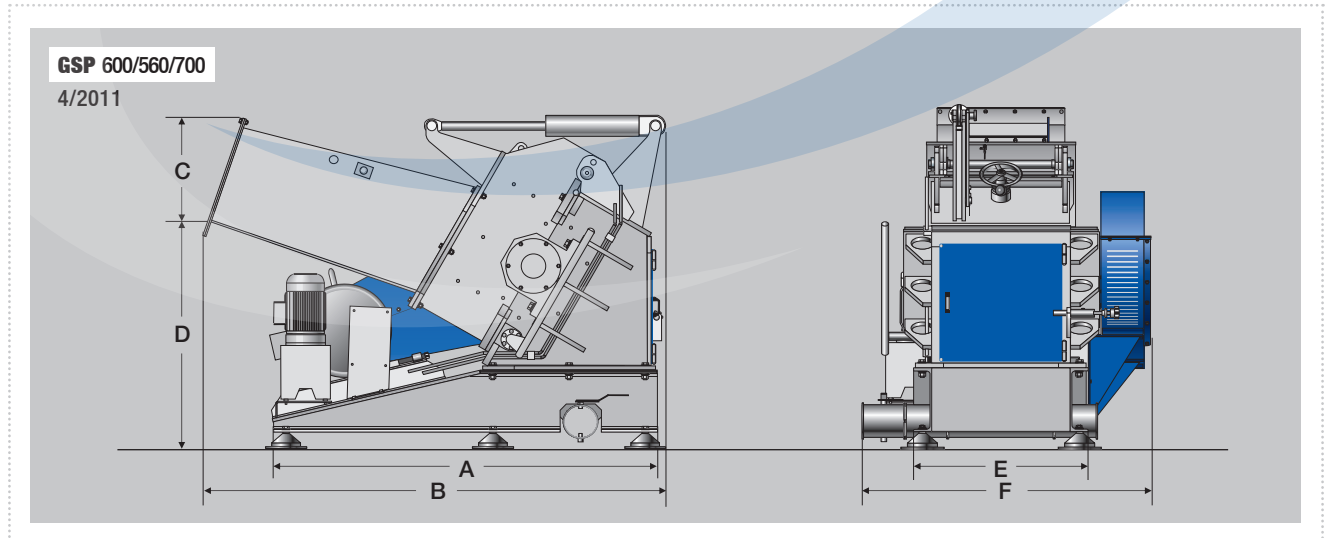
ZERMA. THE
HOME OF SIZE
REDUCTION



SPECIFICATIONS

| Type GSP | 600/500 | 560/700 | 560/1000 | 700/1400 |
|-----------------------------|-----------|-----------|------------|------------|
| Rotor diameter (mm) | 600 | 560 | 560 | 700 |
| Rotor width (mm) | 500 | 700 | 1000 | 1400 |
| Drive capacity (kW) | 45 | 55 | 75 | 90 |
| Rotor knives (rows) | 5 | 5 | 5 | 5 |
| Stator blades (rows) | 2 | 2 | 2 | 2 |
| Screen size (mm) | >8 | >8 | >8 | >8 |
| Effective working area (mm) | 440 x 530 | 290 x 740 | 290 x 1010 | 320 x 1440 |
| A (mm) | 1865 | 2200 | 2230 | 2320 |
| B (mm) | 2245 | 2390 | 2450 | 2580 |
| C (mm) | 420 | 200 | 200 | 335 |
| D (mm) | 1110 | 1225 | 1225 | 1255 |
| E (mm) | 825 | 1110 | 1380 | 1840 |
| F (mm) | 1350 | 1785 | 2060 | 2400 |

DIMENSIONS



5 Xinjie Rd XinQiao Township Ind. Park, Songjiang Shanghai,
Zip: 201612, China
PHONE : +86 21 57645573 FAX : +86 21 57646766
E-MAIL : INFO@ZERMA.COM

ZERMA MACHINERY & RECYCLING TECHNOLOGY CO. LTD.
SHANGHAI CHINA

WWW.ZERMA.COM

Subject to technical modification